

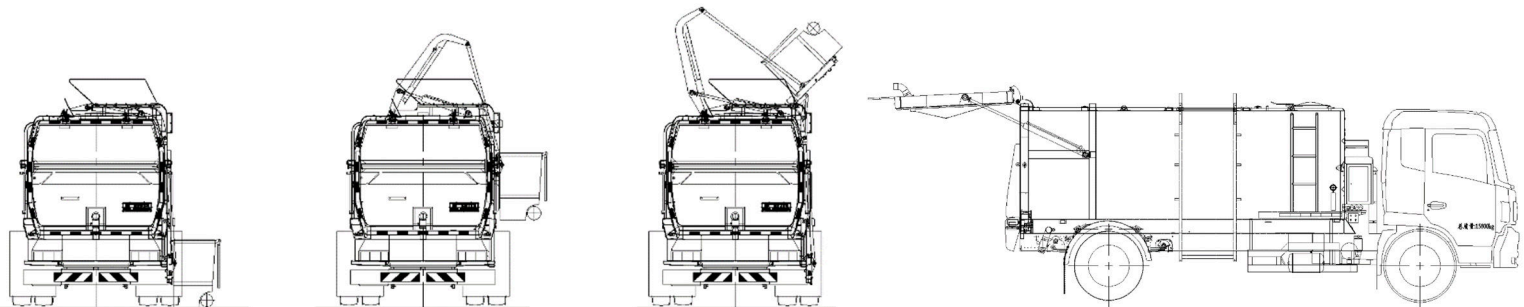
KITCHEN GARBAGE TRUCK



Main Parameters

Items		FLM5120TCADLBEV	FLM5180TCADFBEV
GVW	kg	11900	18000
Wheelbase	mm	4200	5300
Payload Weight	kg	4085	7655
Upper Weight	kg	2170	2900
Selectable Of Chassis Brand		DONGFENG	DONGFENG
Discharging Cycle Time	s	≤65	≤70
Lifting Device Cycle Time	s	≤22	≤24
Dustbin Effective Volume	m ³	≥6.2	≥10.5
Sewage Tank Volume	m ³	≥0.4	≥0.55
Water Tank Volume	m ³	≥0.35	≥0.4
Hydraulic System	MPa	16	16
Power Type		BEV	BEV
Endurance Mileage	km	320	250
Total Electricity Storage Capacity	kWh	214.645	218.55

Technical Specification



Base Specification

Body:

- It is made of all stainless steel materials to ensure that it is not rusted for years. With integral frame structure, large curved side arc box and convex arc back door, it has strong deformation resistance, long service life and strong loading capacity.
- Adopt the pure electric vehicle class II chassis of DONGFENG LIUZHOU Automobile Co., Ltd., in response to the national policy of energy conservation and emission reduction, use the battery of the chassis itself, and adopt the electric control design for the main operating system, which not only saves energy, but also reduces the operation cost. At the same time, share the power battery with the chassis, and install the power to drive the hydraulic system from the chassis power take-off device, so as to realize the waste disposal Loading, unloading and receiving functions.

Rear door device:

- The rear door oil cylinder seat is arranged vertically to facilitate installation and maintenance, and the sequence valve is used to realize the opening and closing sequence of the rear door and the bolt, with reliable action and low cost.
- Special rear door rubber strip and groove are used to extend the service life of rubber strip and improve the sealing of rear door.
- The special rear door drip proof device is used to undertake the slops leaked when the rear door is not sealed. The structure is simple, environmental protection and safety.
- Equipped with rear door safety brace device, when the rear door is opened for maintenance, support the safety brace to prevent the rear door from falling accidentally and improve safety.

Cleaning device:

- The vehicle mounted hydraulic drive cleaning device can clean the vehicle, site and surrounding environment, with compact structure and good maintainability.

Lifting device:

- Adopt the push plate self unloading mode, the push plate adopts the overall inclined plate design to improve the effective volume of the garbage can; adopt the special thickened sealant strip to improve the service life of the rubber strip, and the push plate can push out the box more, which is convenient to clean the garbage at the back of the push plate, with good maintainability and improved work efficiency.
- The right side of the box is equipped with bucket hanging, pressing and supporting bucket structure, main guide rail and auxiliary guide rail of the lifting frame, which can lift 120L and 240L of standard garbage cans. The friction in the lifting process is small, the lifting mechanism does not open in the straight-line movement process, and the movement is smooth, safe and reliable. The lifting mechanism and the upper cover plate form a linkage mechanism (national patent technology) through the connecting rod and swing arm, which not only saves cost, but also improves work efficiency Industry efficiency.
- The angle adjustment mechanism and adjustable connecting rod at the upper end of the guide rail can be lifted to adjust the tipping angle of the garbage can and the height of the toothed plate from the ground, so as to avoid the problem that the garbage can not be dumped clean due to the insufficient tipping angle of the garbage can, which has strong compatibility and reduces the production requirements.
- The use of special lifting mechanism anti leakage device can effectively avoid the problem of sewage leakage in the lifting process, reduce secondary pollution, environmental protection and safety.
- Equipped with feeding buffer device, the bucket turning time can be adjusted, feeding is stable, splashing is avoided, and safety and environmental protection are improved.

Other advantages:

- Equipped with tires to avoid the vehicle unable to operate due to emergencies and improve the maintainability.
- Equipped with night work lights to facilitate night work and expand the working time range.
- Equipped with liquid level observation window in the box to facilitate the observation of garbage loading in the box and control the full degree of the garbage box

Optional device:

- Rear view equipment.
- Driving recorder with print.
- Lifting mechanism weighing system.
- Heating device of sewage tank.
- Automatic circulation function of pushing plate unloading.
- Automatic circulation function of lifting mechanism.
- Screw discharge device.
- Automatic cleaning and disinfection device for garbage can.
- FLM5180TCADFBEV:
 1. Aluminum alloy side guard rail is installed.

Sewage collection:

- Equipped with sewage collection, discharge and flushing device, it can preliminarily realize solid-liquid separation, drain and collect excess sewage, discharge uniformly, or connect with fire hydrant pipe to flush the sewage tank, ensure environmental protection and safety, and improve the loading capacity and maintainability.